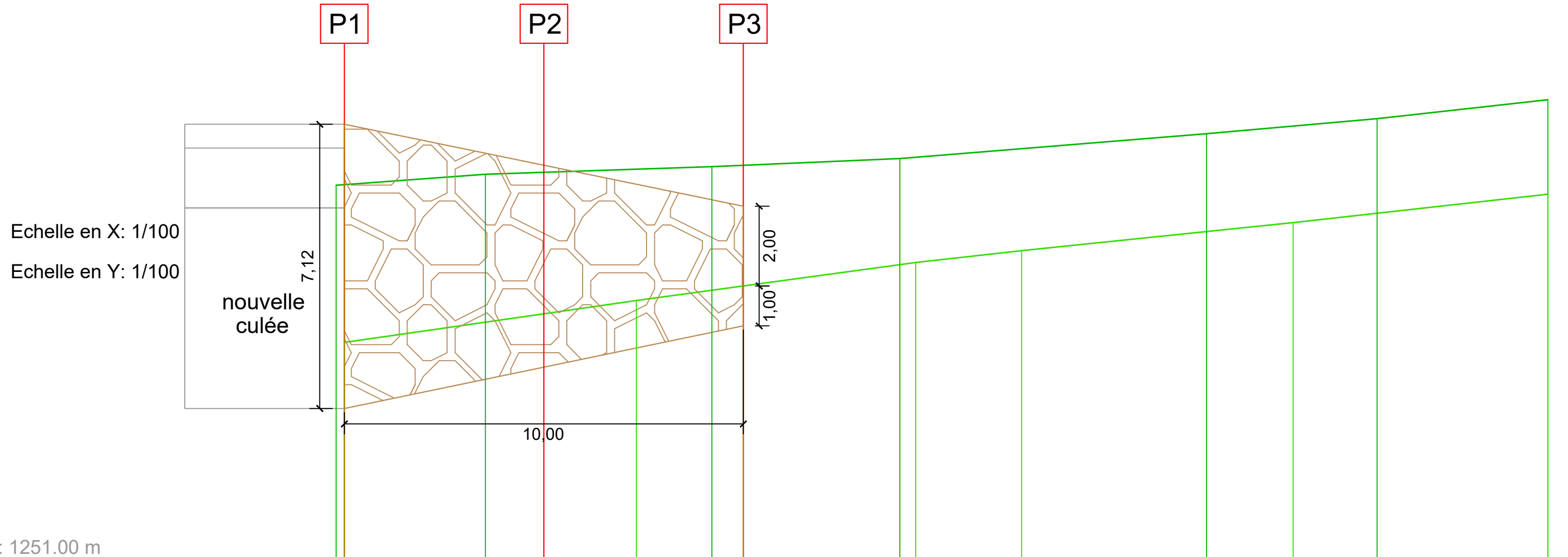


PROFIL EN LONG - PONT DE BRIANCON

AXE : ENTONNEMENT AMONT RD



Alt. crete berge	1260.33	1260.61	1260.80	1261.00	1261.62	1262.00	1262.47
Dist. part. crete berge		3.74	5.68	4.71	7.69	4.28	4.28
Pente crete berge		7.4 %	3.3 %	4.3 %	8.1 %	8.8 %	11.1 %
Alt. pied berge	1256.39		1257.44	1256.39	1256.69	1259.39	1260.10
Dist. part. pied berge		7.32		7.00	2.66	6.80	6.38
Pente pied berge		14.3 %		13.6 %	11.3 %	10.3 %	11.1 %
Alt. haut enrochement	1251.86		1259.81				
Alt. pied enrochement	1254.74		1256.81				
Dist. parti. enrochement		10.00					





